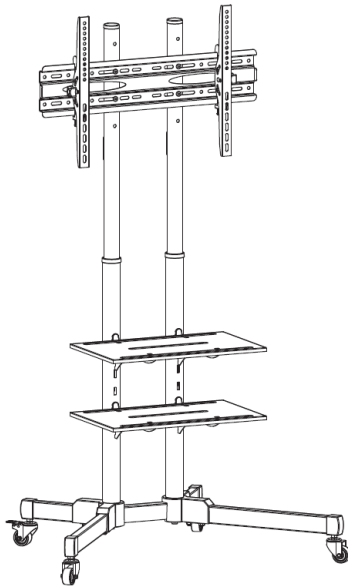




Black Mobile TV Cart

Instruction Manual



SKU: STAND-TV01B



Scan the QR code with your mobile device or follow the link for helpful videos and specifications related to this product.

<https://vivo-us.com/products/stand-tv01b>

GET IN TOUCH | Monday-Friday from 7:00am-7:00pm CST



help@vivo-us.com



www.vivo-us.com
Chat live with an agent!



309-278-5303

⚠️ WARNING!

If you do not understand these directions, or if you have any doubts about the safety of the installation, please call a qualified technician. Check carefully to make sure there are no missing or defective parts. Improper installation may cause damage or serious injury. Do not use this product for any purpose that is not explicitly specified in this manual. Do not exceed weight capacity. We cannot be liable for damage or injury caused by improper mounting, incorrect assembly or inappropriate use.

⚠️ TIPOVER WARNING

SERIOUS OR FATAL CRUSHING INJURIES CAN OCCUR FROM TIPOVER. TO HELP PREVENT TIPOVER:

- NEVER ALLOW CHILDREN TO CLIMB, STAND, HANG, OR PLAY ON ANY PART OF TV OR TV CART.
- USE TIPOVER RESTRAINT OR ANCHOR STAND TO WALL

USE OF TIPOVER RESTRAINTS MAY ONLY REDUCE, BUT NOT ELIMINATE RISK OF TIPOVER.

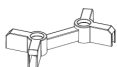
PACKAGE CONTENTS



A (x2)
Back Feet



B (x2)
Front Feet



C (x1)
Base



D (x4)
Metal Spacer



E (x2)
Wheel



F (x2)
Locking Wheel



G (x2)
Pole



H (x6)
Cable Grommet



I (x1)
Plate



J (x2)
Shelf



K (x2)
Right Shelf Bracket



L (x2)
Left Shelf Bracket



M (x1)
Right TV Bracket



N (x1)
Left TV Bracket



O (x4)
Shelf Clip



M-A (x4)
M5x14



M-B (x4)
M6x14



M-C (x4)
M6x30



M-D (x4)
M8x30



M-E (x4)
M8x50



M-F (x4)
Metal Spacer



M-G (x8)
Small Spacer



M-H (x8)
Big Spacer



P-A (x8)
M8x65



P-B (x4)
M8x60



P-C (x2)
M10x35



P-D (x2)
D10 Washer



P-E (x4)
D8 Washer



P-F (x12)
M8 Nut



P-G (x1)
Wrench



P-H (x1)
5mm Allen Wrench



P-I (x1)
8mm Allen Wrench

NOTE: SOME HARDWARE INCLUDED MAY NOT BE USED



DO NOT EXCEED WEIGHT CAPACITY.

Failure to do so may result in serious injury.

110lbs
(49.9kg)



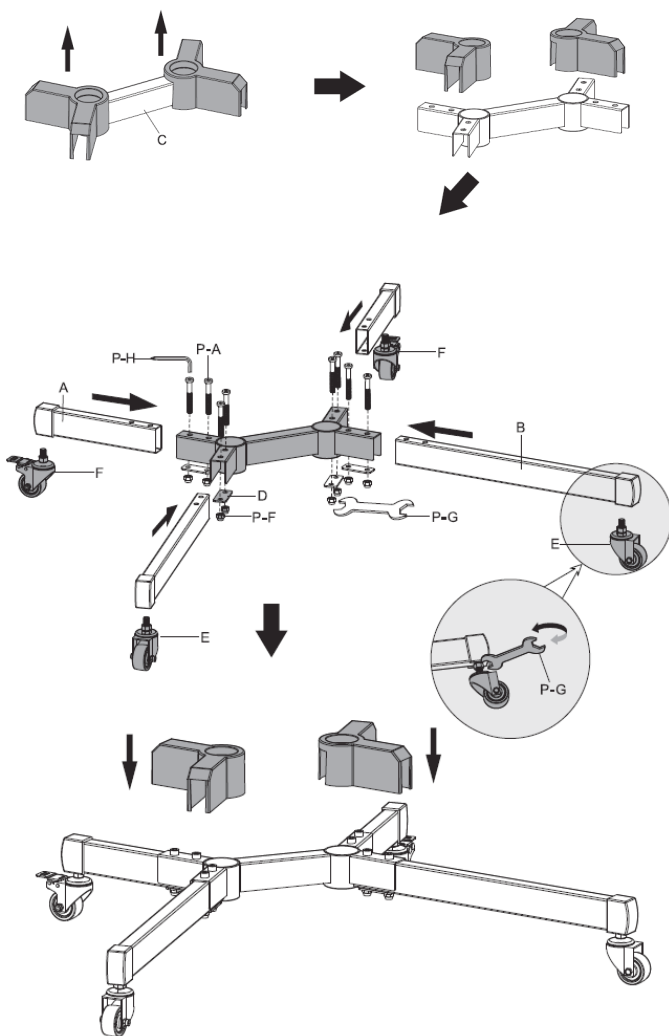
WARNING: CHOKING HAZARD

SMALL PARTS - NOT FOR CHILDREN UNDER 3 YEARS. ADULT SUPERVISION IS REQUIRED.

ASSEMBLY STEPS

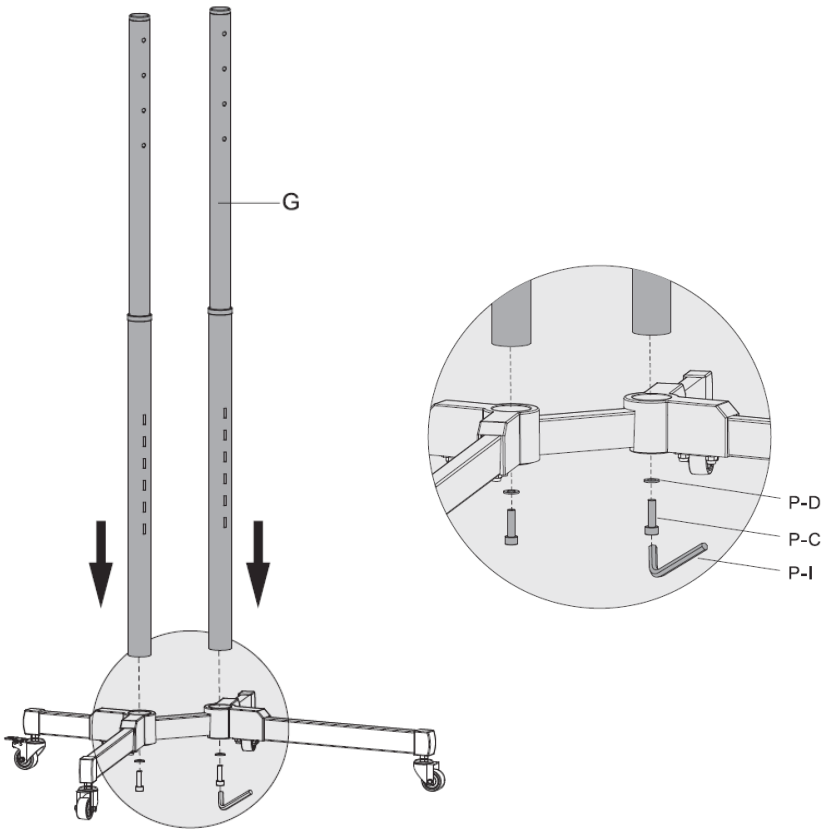
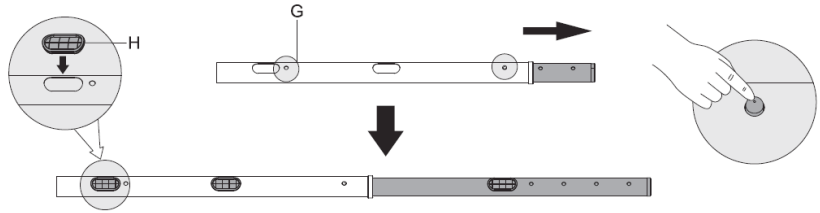
STEP 1

Remove plastic covers from base (C). Attach feet (A,B) using bolts (P-A) metal spacer (D) and nuts (P-F). Tighten using 5mm allen wrench (P-H) and wrench (P-G). Thread wheels (E,F) into bottom of feet using wrench (P-G). Reattach plastic covers.



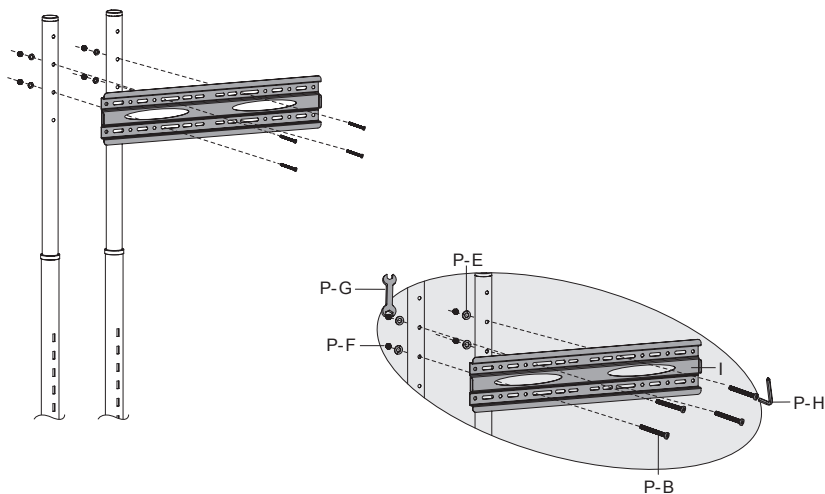
STEP 2

Press button on bottom half of poles (**G**) to extend the two halves. Slide button into top hole to secure pole length. Insert rubber cable grommets (**H**) into holes as shown in diagram. Insert poles into base (**C**) and secure using bolts (**P-C**) and washers (**P-D**). Tighten using 8mm allen wrench (**P-I**).



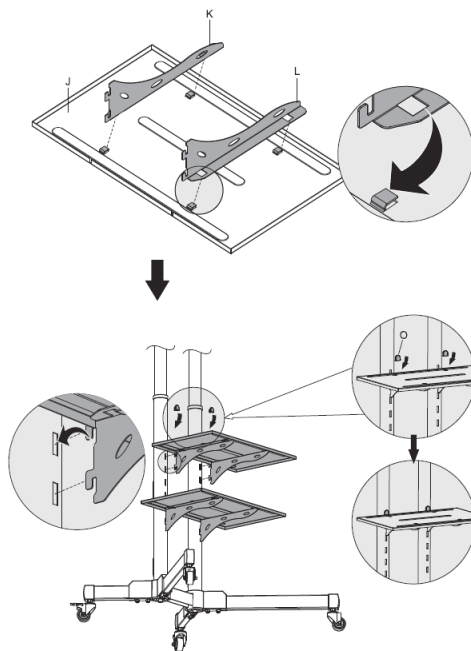
STEP 3

Attach plate (I) to poles using bolts (P-B) washers (P-E) and nuts (P-F) at the desired height. Tighten using 5mm allen wrench (P-H) and wrench (P-G).



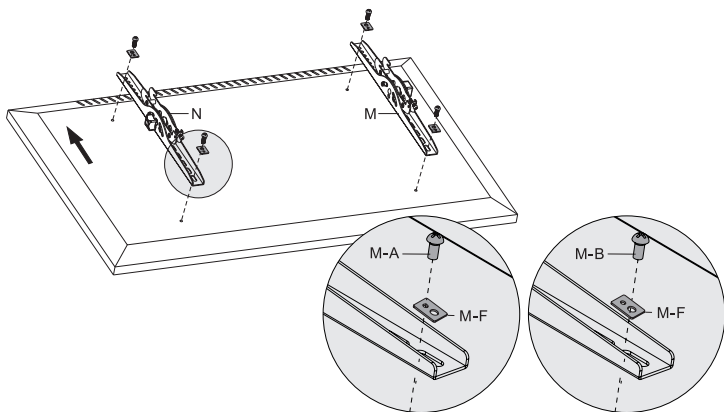
STEP 4

Slide shelf brackets (L,K) into shelves (J). Mount shelves to poles by hanging the hooks in the slots at the desired heights as shown in the diagram. Use clips (O) to lock shelves into place.

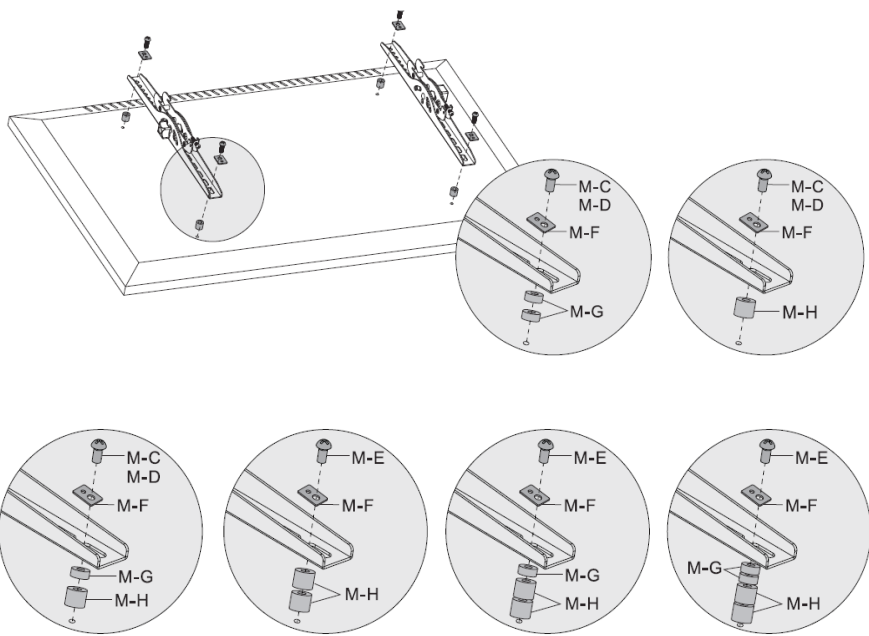


STEP 5

Attach TV brackets (**N,M**) to back of television using bolts (**M-A,M-B**) and metal spacers (**M-F**) using Phillips head screwdriver.

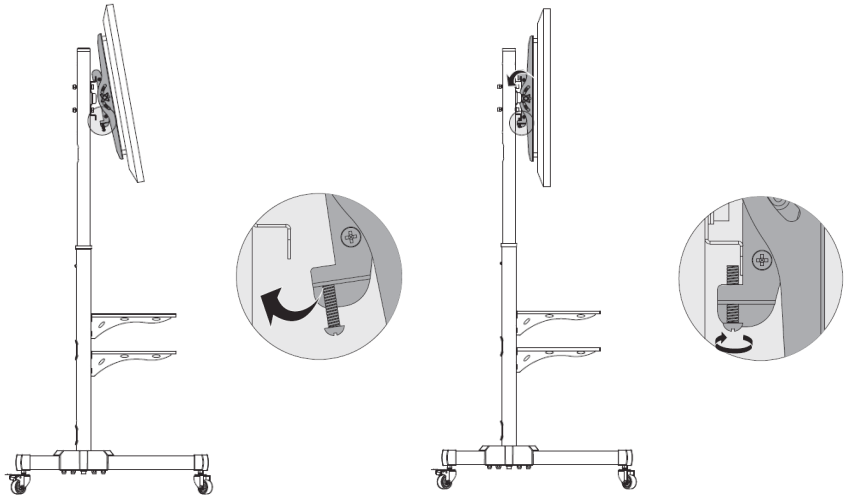


Attach TV brackets (**N,M**) to back of television using bolts (**M-C, M-D, M-E**) and metal spacers (**M-F**) using Phillips head screwdriver. If bolts are too long, spacers (**M-G, M-H**) may be required.



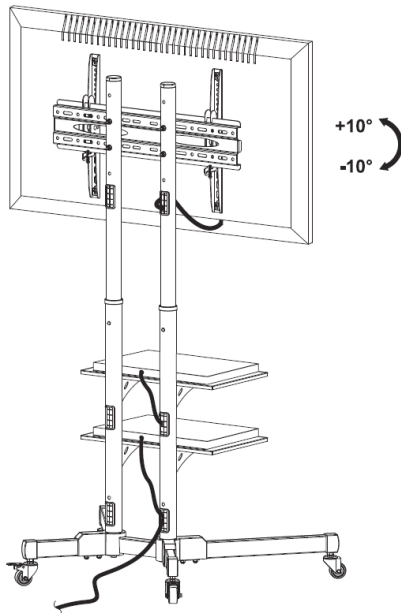
STEP 6

Hang TV brackets onto plate (I) and tighten security bolt on the bottom of brackets using Phillips head screwdriver to secure television in place.



STEP 7

To adjust TV tilt angle, loosen knobs on TV brackets, then re-tighten when TV is at the desired position. Manage cables.





Open **Monday - Friday 7:00am - 7:00pm** CST,
our dedicated support team can offer immediate assistance with rapid response times. If any parts are received damaged or defective, please contact us. We are happy to replace parts to ensure you have a fully functioning product.



309-278-5303

AVG. RESOLUTION TIME (*within office hrs*): **5M 4S**



www.vivo-us.com

Chat live with an agent!

AVG. RESOLUTION TIME (*within office hrs*): **< 15 M**



help@vivo-us.com

AVG. RESPONSE TIME (*within office hrs*): **1HR 8M**

- 23% within < 15m
- 38% within < 30m
- 61% within < 1hr
- 83% within < 2hr
- 92% within < 3hr